



- ▶ Compact and low profile
- ▶ Industry Std. Footprint
- ▶ Extended Temp Range Option
- ▶ RoHS Compliant
- ▶ 6 x 3.5 mm (4 Pad)

# ECX-64

## SMD QUARTZ CRYSTAL

The ECX-64 is a miniature SMD Crystal with a 3.5 x 6 mm 4 pad footprint. This cost effective with a height of 1.1 mm which is ideal for densely populated PCB applications.

### OPERATING CONDITIONS / ELECTRICAL CHARACTERISTICS

PARAMETERS	CONDITIONS	ECX-64			UNITS
		MIN	TYP	MAX	
Frequency Range		8.000		100.000	MHz
Frequency Tolerance	at +25°C			± 30 *	ppm
Frequency Stability	-10 to +70°C			± 50 *	ppm
Shunt Capacitance				7	pF
Load Capacitance	Specify in P/N	10	20	Series	pF
Drive Level				100	µW
Operating Temperature *		-10		+70	°C
Storage Temperature		-55		+125	°C
Aging (Per Year)	@ +25°C ±3°C			±5	ppm

### EQUIVALENT SERIES RESISTANCE/MODE OF OSCILLATION

FREQUENCY RANGE (MHz)	MODE OF OSC	MAX ESR Ω	FREQUENCY RANGE (MHz)	MODE OF OSC	MAX ESR Ω
8.000 ~ 9.999	Fundamental	60	20.000 ~ 49.999	Fundamental	30
10.000 ~ 13.999	Fundamental	50	50.000 ~ 100.000	3rd Overtone	80
14.000 ~ 19.999	Fundamental	40			

### DIMENSIONS (mm)

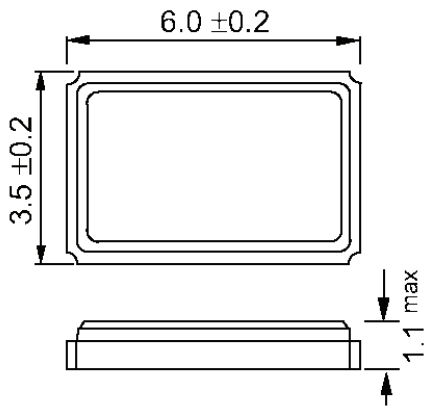


Figure 1) Top, Side, and Bottom views

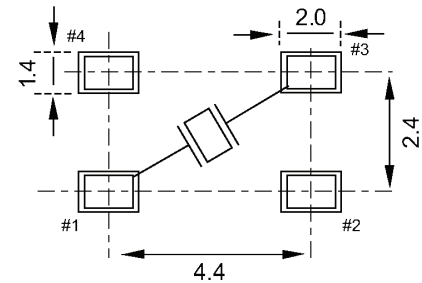
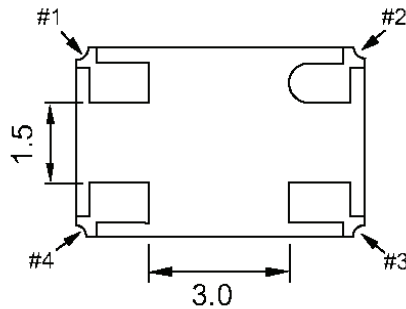


Figure 2) Suggested Land Pattern

Pad Connections	
1	In/Out
2	** Gnd
3	In/Out
4	** Gnd

\*\*Pad 2 & 4 are connected to the metal lid which can be connected GND or No Connected.  
Pad 1 or 2 may have a rounded or chamfered pad.

PART NUMBERING GUIDE: Example ECS-200-20-23B-TR

Custom Options

SHENZHEN YIJIN ELECTRONICS CO: LTD TEL: 0755-27876565

18924600166 QQ: 857950243 <http://www.vc-tcxo.com>