

Tuning Fork (NXF 3 x 9)



{Features}



- High stability assured with tight vacuum sealing
- High vibration and shock resistance
- Excellent environmental capability



RoHS compliant

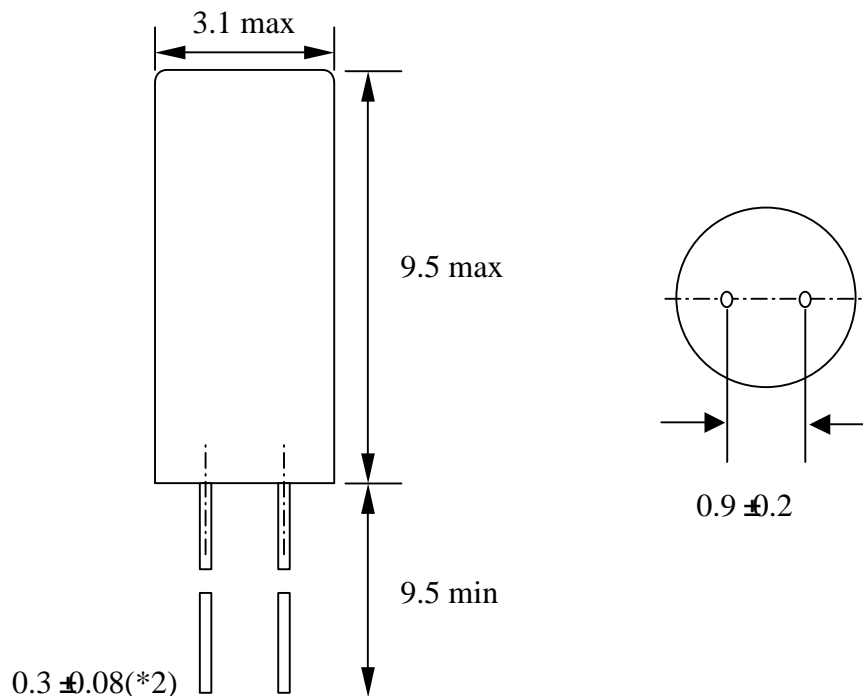
Electrical Specification:

Model	NXF 3-9
Frequency Range	3.579545 ~ 160.000 MHz
Frequency Tolerance	±0 ppm, ±20 ppm, ±30 ppm
Operating Temp Range	-10 ℃ ~ +60 ℃, -20 ℃ ~ +70 ℃
Load Capacitance	10 pF ~ 32 pF
Drive Level	10uW ~ 100uW
Shunt Capacitance	5 pF max

Equivalent Series Resistance(ESR) VS Frequency:

Frequency (MHz)	Oscillation Mode	NXF 3-9
3.57~ 5.5	Fundamental	150
5.6 ~ 6.0	Fundamental	100
6.1 ~ 10.0	Fundamental	80
10.1 ~ 12.0	Fundamental	60
12.1 ~ 16.0	Fundamental	50
16.1 ~ 30.0	Fundamental	40
26.0 ~ 36.0	3rd overtone	100
36.01 ~ 64.0	3rd overtone	80

Dimensions (mm):



SHENZHEN YIJIN ELECTRONICS CO: LTD TEL: 0755-27876565

18924600166 QQ: 857950243 <http://www.vc-tcxo.com>